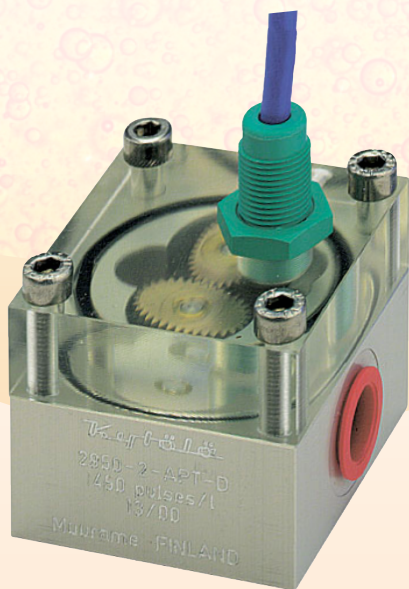


KYTOLA Oval Gear Meter Model 2950 is designed and developed for lubrication oil measurement in demanding industrial environments.

The oval gear meter is a positive displacement flow meter, which always shows the correct flow rate regardless of oil temperature or viscosity changes.



- For oil
- Max 100 L/min
- Alternative pulse sensors
- BSP or NPT connections
- Without flow adjustment valve
- ATEX version (II 2GD c TX) as option



ISO 9001:2008 ISO 14001:2004

OVAL GEAR METER 2950

The flow meter consists of two elliptical gears, which the flow rotates. A coil sensor or an inductive proximity switch picks up the rotation, and the pulse signal can be transferred to indicators, counters or automation systems.

FEATURES

Several flow ranges

Large viscosity range
30 – 1000 cSt

Independent of viscosity changes

Sturdy construction

Pulse output

TYPICAL APPLICATIONS

Lubricant monitoring

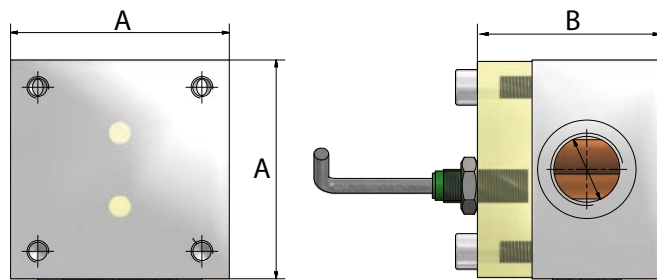
Industrial flow monitoring

Process control

Model	2950-1	2950-2	2950-5	2950-10	2950-20	2950-30	2950-60	2950-100
Output (pulses/L)	820	450	290	126.8	75.8	49.8	22.4	12.4
Weight	265 g	255 g	280 g	1.1 kg	1.1 kg	1.5 kg	3.4 kg	12 kg
Connections	1/4"	1/4"	1/4"	3/4"	3/4"	3/4"	1"	1 1/2"
Gears	Composite polymer or brass (depending on range)							
Body	Aluminium							
Cover	Polyamide							
Seals	Viton®							
Sensor	Namur; DIN 19234 (*Other types of inductive proximity sensor)							
Max. pressure	10 bar							
Max. temperature	+80°C							
Viscosity range	30 – 1000 cSt							
Accuracy	±5% of reading							

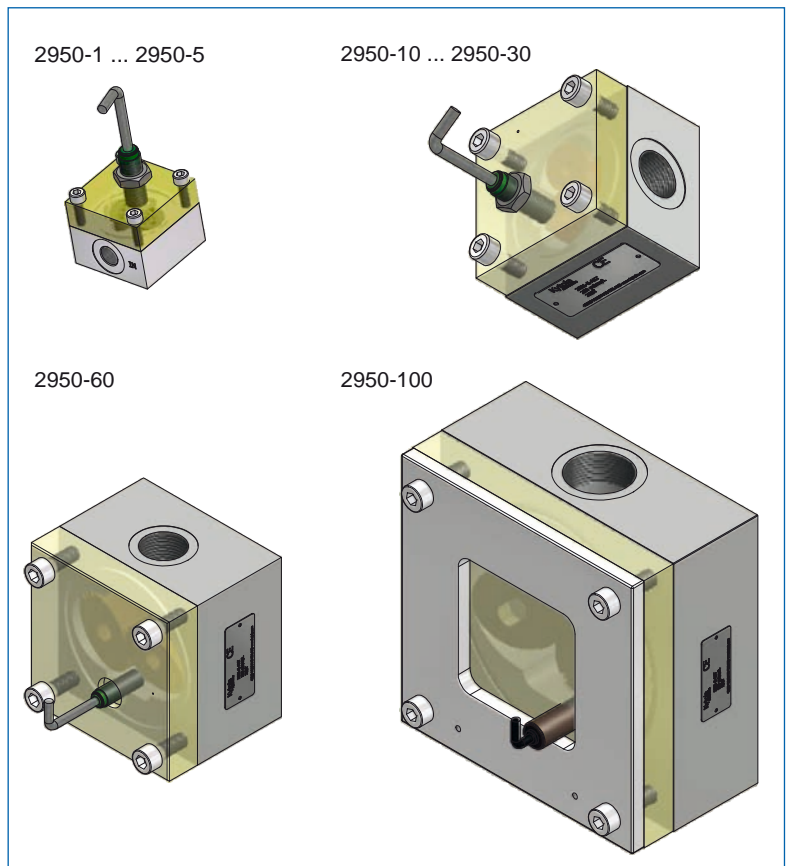
* Special construction on request

Model	A	B
2950-1	50	41
2950-2	50	41
2950-5	50	47
2950-10	80	67
2950-20	80	67
2950-30	80	87
2950-60	118	97
2950-100	199	107



2950- [] -A [] [] [] [] []	
Flow Range	
0.1 – 1 L/min	1
0.2 – 2 L/min	2
0.5 – 5 L/min	5
1 – 10 L/min	10
2 – 20 L/min	20
3 – 30 L/min	30
6 – 60 L/min	60
10 – 100 L/min	100
Gears	
Composite polymer (1–5 L/min)	K
Brass (10–100 L/min)	P
Cover	
Polyamide	T
Connections	
BSP threads	<i>blank</i>
NPT threads	N
Sensor	
NAMUR sensor	<i>blank</i>
Without sensor (M12 x 1 thread)	D
PNP/NPN sensor (2-wire)	F
PNP sensor (3-wire)	P
NPN sensor (3-wire)	T
Coil sensor (compatible with Kytola readout units)	C
Special Feature	
ATEX version – only with NAMUR sensor	Z

Standard feature: leave *blank*
 Special feature: choose Character



Copyright© Kytola Instruments Oy 2016. Dimensions and measurements are given within normal tolerances. Manufacturer reserves the right to changes without prior notification. File 2950_est12_en Published 5/2016



www.kytola.com

Kytola Instruments Oy
 Olli Kytölään tie 1
 FI-40950 Muurame, Finland
 Tel. +358 20 779 0690
 Fax +358 14 631 419
 E-mail info@kytola.com