

WELL TYPE MANOMETER

Model **DPP**



The well type manometer model DPP is intended for reliable monitoring and accurate measurement of low pressure and pressure differential in applications where good clear visual indication is required. The well type manometer has a wider range than inclined tube manometers. It is suitable for use in laboratories, high-pressure fans, filters and for flow rate/velocity measurement in the field as well as laboratories.

FEATURES

- Clear and easy reading
- Good contrast
- Zero adjustment screw
- Large filling liquid reservoir
- Provided with filling liquid and mounting screws

TYPICAL APPLICATIONS

- Air conditioning strainers
- Blowers
- Dust filters
- Pressurized enclosures
- Laboratories
- Flow rate and velocity measurement
- Annealing furnaces

ACCESSORIES AND OPTIONS

- Scale in other units than kPa.
e.g., mm W.C.
- Special scale markings
- Customers logo
- Hoses

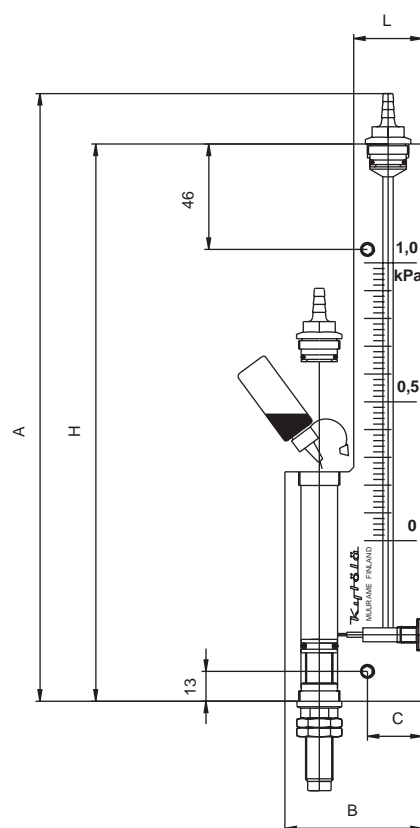
DPP

Technical data DPP



Model	DPP-1K	DPP-2K	DPP-3K	DPP-4K	DPP-5K
Weight	350g	450g	600g	950g	1050g
Metering liquid	Red, hydrocarbon mixture, $\rho=0,78$				
Body	Acrylic (PMMA)				
Connectors	Polycarbonate (PC)				
Seals	Nitrile				
Max. static pressure	10 bar				
Ambient temperature	-40 ... +50 °C				
Accuracy	$\pm 2,5\%$ of reading, $\pm 10\text{Pa}$				
Connections	For 4-6 mm hose (inside diameter)				

DPP-	
	Scale
1K	0 - 1 kPa
2K	0 - 2 kPa
3K	0 - 3 kPa
4K	0 - 4 kPa
5K	0 - 5 kPa



DPP-	A	B	C	H	L
1K	max. 317	60	24	243	30
2K	" 447	60	24	373	30
3K	" 578	60	24	504	30
4K	" 709	70	31	635	40
5K	" 840	70	31	766	40

MANUFACTURER

Kytola

INSTRUMENTS

KYTOLA OY • Olli Kytolan tie 1
P.O. Box 5 • FI-40951 MUURAME • FINLAND
Phone +358 207 7906 90 • Fax +358 14 631 419
E-mail sales@kytola.com • www.kytola.com

LOCAL REPRESENTATIVE