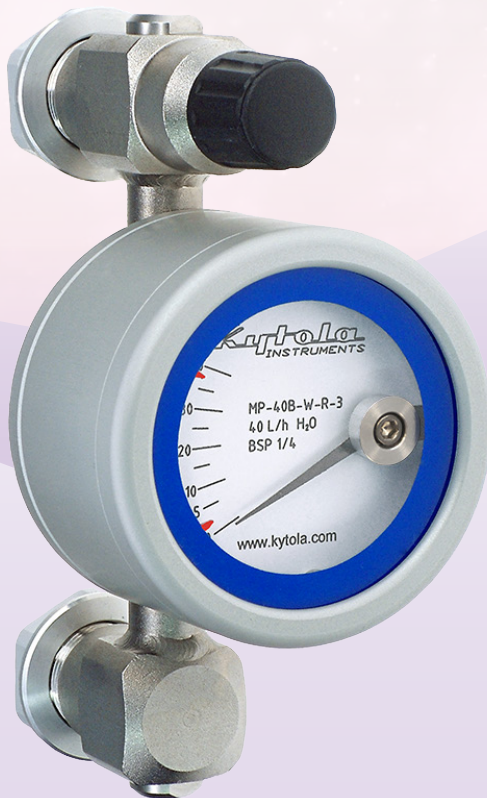


KYTOLA® Model MP Metal Tube Flow Meter is designed to withstand rough conditions. It is compatible with a wide range of liquids or gases.

Reliable and accurate flow measurement is based on a variable area metering principle using a free-floating float.



- Stainless steel wetted parts
- High pressure and temperature resistance
- Withstands aggressive media
- ATEX version (II 2GD c TX) as option



ISO 9001 ISO 14001

## METAL TUBE FLOW METER MP

### FEATURES

- Reliable operation
- Compact and robust design
- Clear scale

### TYPICAL APPLICATIONS

- Chemical and petrochemical industry
- Power plants
- General flow measurements

### OPTIONS

- Low and high flow alarms
- mA output
- Connections G / NPT / Rc
- Stainless steel AISI 316L display housing

Model	MP
Flow tube	Stainless steel AISI 316L
Connectors	Stainless steel AISI 316L
Float	Stainless steel AISI 316L
Display housing	Aluminium (*Stainless steel AISI 316L)
Display housing window	Polycarbonate (*Borosilicate glass)
Seals	Viton® in option "W" (*EPDM)
Max pressure	235 bar without valve 100 bar with valve
Max temperature	+150°C without alarm sensors, borosilicate glass window +115°C without alarm sensors, polycarbonate window +100°C with NAMUR alarm sensors +70°C with PNP alarm sensors
Connections	G/NPT/Rc 1/4" or 1/2" depending on range
Weight	920 g with valve / 700 g without valve
Accuracy	±5% F.S. (H <sub>2</sub> O +20°C) *) Special construction on request

MP- ■ ■ - ■ - ■ - ■

Flow Range			
H <sub>2</sub> O (L/h)	Air (NL/h)	G/NPT/Rc	
1 – 10	60 – 320	1/4"	<b>10</b>
1 – 16	50 – 500	1/4"	<b>16</b>
1 – 25	100 – 750	1/4"	<b>25</b>
2 – 42	100 – 1200	1/4"	<b>40</b>
5 – 65	200 – 1900	1/4"	<b>60</b>
5 – 100	200 – 3000	1/4"	<b>100</b>
10 – 170	250 – 4750	1/2"	<b>160</b>
25 – 250	500 – 7500	1/2"	<b>250</b>
40 – 400	1000 – 12000	1/2"	<b>400</b>

Scale		
H <sub>2</sub> O (L/h) at +20°C		<b>B</b>
Air (NL/h) at +20°C / 1.013 bar (abs)		<b>K</b>

Flow Adjustment Valve		
With flow adjustment valve		<b>W</b>
Without flow adjustment valve		<b>O</b>

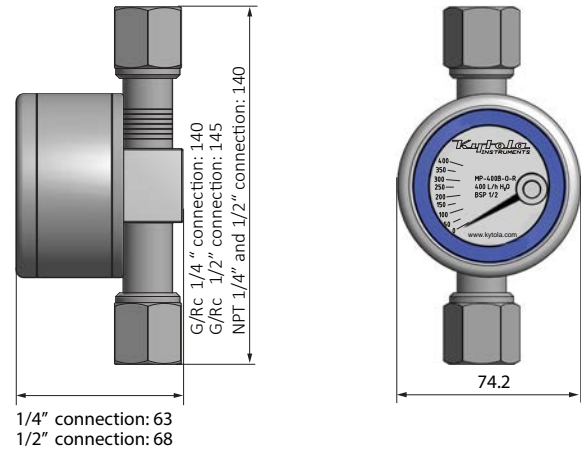
  

Connections		
G 1/4" or 1/2" depending on range		<b>R</b>
NPT 1/4" or 1/2" depending on range		<b>N</b>
Rc 1/4" or 1/2" depending on range		<b>P</b>

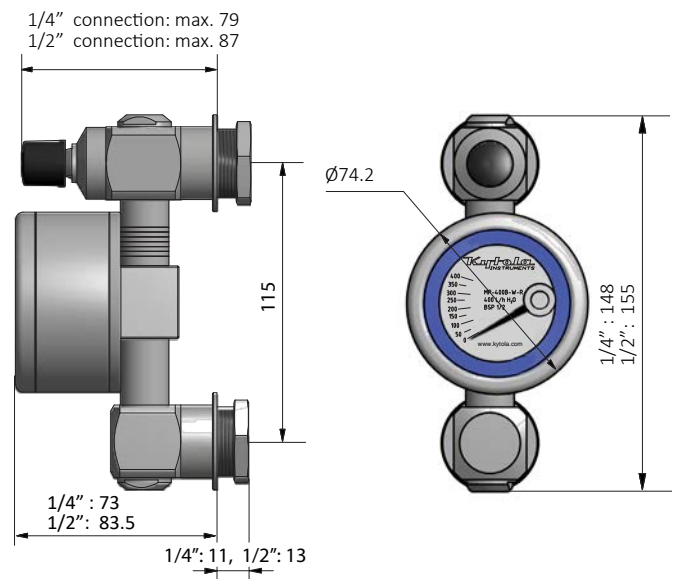
Special Features		
Lower limit switch, NAMUR		<b>1</b>
Upper limit switch, NAMUR		<b>2</b>
Lower and upper limit switch, NAMUR		<b>3</b>
Lower limit switch, PNP, 10–30 VDC, 3-wire (NC)		<b>7</b>
Upper limit switch, PNP, 10–30 VDC, 3-wire (NC)		<b>8</b>
Lower and upper limit switch, PNP, 10–30 VDC, 3-wire (NC)		<b>9</b>
Aluminium display housing, polycarbonate glass ( <i>standard, leave blank</i> )		
Aluminium display housing, borosilicate glass		<b>L</b>
Aluminium display base plate, AISI 316 display housing cover, borosilicate glass		<b>X</b>
EPDM seals (max temperature 130°C)		<b>Y</b>
ATEX version (if alarm sensors required, only options 1, 2 and 3 allowed); choose display option L or X		<b>Z</b>

Model MP-xx-O



1/4" connection: 63  
1/2" connection: 68

Model MP-xx-W



1/4" connection: max. 79  
1/2" connection: max. 87

1/4" : 73  
1/2" : 83.5  
1/4" : 11, 1/2" : 13