

KYTOLA® Model V Smart variable area flow meter with mA output is designed for reliable measuring and monitoring of liquid and gas flows.

It comes in a range of different options and offers a choice of end blocks – aluminium, stainless steel AISI 316 or polyamide.



FLOW METER V Smart

- 4 – 20 mA output, 3-wire
- Easy compensation for external electromagnetic field effects
- USB-C port for parameter setting
- Easy configuration with VA Config application
- Sturdy construction
- Protected flow tube
- Scales for alternative liquids and gases

ISO 9001 ISO 14001

FEATURES

- 4 – 20 mA output
- Alarm LEDs for flow alarm indication
- Ready for inductive flow alarm sensor
- Large selection of materials




TYPICAL APPLICATIONS

- Cooling water measurement
- Sealing water measurement
- Flush water applications
- Gas flow measurement

OPTIONS

- Separate inductive low and high flow alarm
- Constant flow regulator
- PES flow tube
- Viton or EPDM seals

Model	VDAS	VDHS	VDKS
End blocks	Aluminium	AISI 316	Nylon
Side plates	AISI 316	AISI 316	AISI 316
Max. pressure	30 bar	30 bar	20 bar
Max. temperature	80°C (*120°C)	80°C (*120°C)	80°C
Weight, incl. mA transmitter	0.85 kg	2.10 kg	1.1 kg
Valve housing	Aluminium	AISI 316	AISI 316
Valve spindle	AISI 316	AISI 316	AISI 316
Flow tube	Grilamid (PA-12) (*PES)		
Connections	G 1/2" or NPT 1/2"		
Float	AISI 329 or AISI 329/PTFE (depending on range)		
Seals	Nitrile (*Viton®, EPDM)		
Accuracy	±5% F.S. (H ₂ O, +20°C)		
			*Special construction on request

mA transmitter VA Smart	
Power supply	24 VDC / 0.1 A
Local alarm LEDs	Green (blinks): within set limits  Yellow: high flow alarm  Red: low flow alarm 
Enclosure	Polyamide
Ambient temperature	0...+80°C
Protection class	IP65

VD S - - **M**

End Block Material		
Aluminium (not for H ₂ O)	A	
AISI 316	H	
Nylon	K	

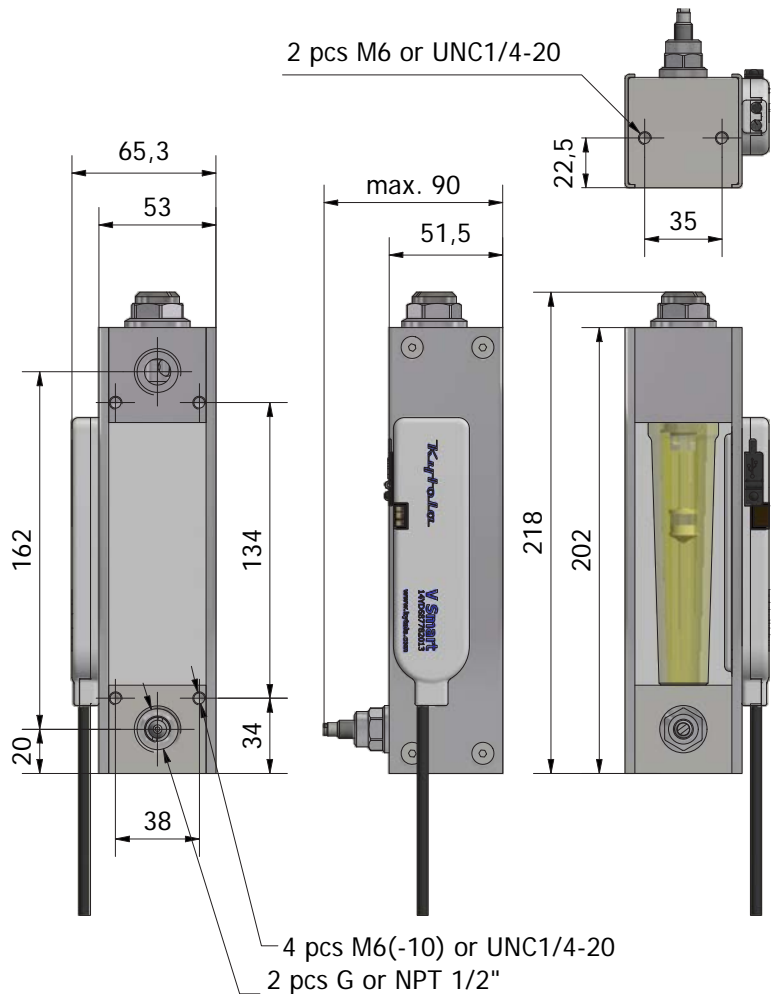
Flow Range		
H ₂ O L/min	Air NL/min	
2 – 9	80 – 280	3L
2.5 – 10	75 – 325	3M
3 – 16	100 – 600	4N
4 – 17	100 – 650	4D
4 – 22	100 – 1100	4E
7.5 – 32.5	–	4F

Scale	
H ₂ O (L/min) at +20°C	A
Air (NL/min) at +20°C/1.013 bar (abs)	R

4 – 20 mA output

Features	
Ready for inductive flow alarm sensor	D
Hand knob in valve	H
G 1/2" connections	<i>blank</i>
NPT 1/2" connections	N
Grilamid flow tube, nitrile seals	<i>blank</i>
PES flow tube, nitrile seals	V
PES flow tube, Viton® seals	W
Grilamid flow tube, Viton® seals	X

Standard feature: leave *blank*
Special feature: choose character



Model	VEAS	VEHS	VEKS
End blocks	Aluminium	AISI 316	Nylon
Side plates	AISI 316	AISI 316	AISI 316
Max. pressure	30 bar	30 bar	20 bar
Max. temperature	80°C (*120°C)	80°C (*120°C)	80°C
Weight, incl. mA transmitter	0.85 kg	2.10 kg	1.1 kg
Valve housing	Aluminium	AISI 316	AISI 316
Valve spindle	AISI 316	AISI 316	AISI 316
Flow tube	Grilamid (PA-12) (*PES)		
Connections	G 1/2" or NPT 1/2"		
Float	AISI 329 or AISI 329/PTFE (depending on range)		
Seals	Nitrile (*Viton®, EPDM)		
Accuracy	±5% F.S. (H ₂ O, +20°C)		
			*Special construction on request

mA transmitter VA Smart

Power supply	24 VDC / 0.1 A		
Local alarm LEDs	Green (blinks): within set limits	Yellow: high flow alarm	Red: low flow alarm
Enclosure	Polyamide		
Ambient temperature	0...+80°C		
Protection class	IP65		

VE S - M

End Block Material		
Aluminium (not for H ₂ O)	A	
AISI 316	H	
Nylon	K	

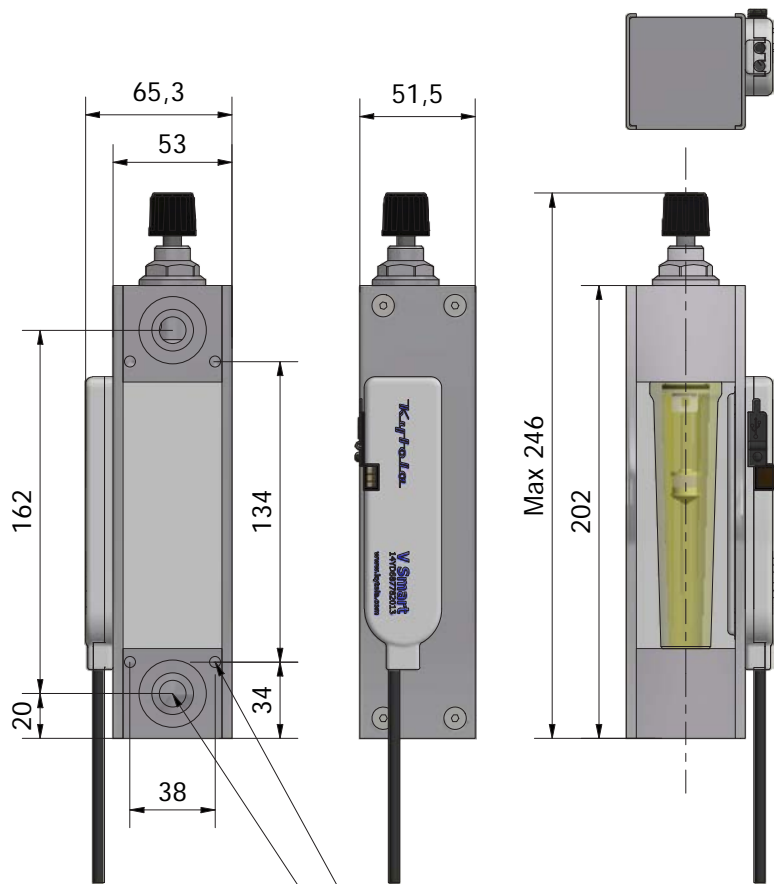
Flow Range			
H ₂ O L/min	Air NL/min		
2 – 9	60 – 260	3L*	
2.5 – 10	75 – 300	3M*	
2 – 15	75 – 400	4N*	
4 – 16	100 – 450	4D*	
4 – 22	100 – 650	4E*	
5 – 30	150 – 700	4F*	

Scale		
H ₂ O (L/min) at +20°C	A	
Air (NL/min) at +20°C/1.013 bar (abs)	R	

Features		
Ready for inductive flow alarm sensor	D	
G 1/2" connections	blank	
NPT 1/2" connections	N	
Grilamid flow tube, nitrile seals	blank	
PES flow tube, nitrile seals	V	
PES flow tube, Viton® seals	W	
Grilamid flow tube, Viton® seals	X	

Standard feature: leave blank
Special feature: choose character

* Air flow ranges (20°C/1.013 bar abs) for calibration purposes only



4 pcs M6(-10) or UNC1/4-20
2 pcs G or NPT 1/2"

Model	VLAS	VLHS	VLKS
End blocks	Aluminium	AISI 316	Nylon
Side plates	AISI 316	AISI 316	AISI 316
Max. pressure	30 bar	30 bar	20 bar
Max. temperature	80°C (*120°C)	80°C (*120°C)	80°C
Weight, incl. mA transmitter	0.85 kg	2.10 kg	1.1 kg
Flow tube	Grilamid (PA-12) (*PES)		
Connections	G 1/2" or NPT 1/2"		
Float	AISI 329 or AISI 329/PTFE (depending on range) Note! Other possible wetted metal parts: AISI 316		
Seals	Nitrile (*Viton®, EPDM)		
Accuracy	±5% F.S. (H ₂ O, +20°C)		
	*Special construction on request		

mA transmitter VA Smart

Power supply	24 VDC / 0.1 A		
Local alarm LEDs	Green (blinks): within set limits	Yellow: high flow alarm	Red: low flow alarm
Enclosure	Polyamide		
Ambient temperature	0...+80°C		
Protection class	IP65		

VL S - - M

End Block Material		
Aluminium (not for H ₂ O)	A	
AISI 316	H	
Nylon	K	

Flow Range			
H ₂ O L/min	Air NL/min		
2 – 9	80 – 300	3L	
3 – 10	75 – 325	3M	
2 – 16	75 – 450	4N	
3 – 18	100 – 500	4D	
4 – 22	100 – 700	4E	
5 – 30	150 – 900	4F	

Scale		
H ₂ O (L/min) at +20°C		A
Air (NL/min) at +20°C/1.013 bar (abs)		R

Features		
Ready for inductive flow alarm sensor		D
G 1/2" connections		blank
NPT 1/2" connections		N
Grilamid flow tube, nitrile seals		blank
PES flow tube, nitrile seals		V
PES flow tube, Viton® seals		W
Grilamid flow tube, Viton® seals		X

Standard feature: leave blank
Special feature: choose character

