

Converters and transmitters Series MT03 / DFD / TR



Universal converters and transmitters for flow and level instrumentation

- Suitable for flow and level applications
- Programmable via USB cable by means of Tecfluid S.A. Winsmeter software
- VAC or VDC power supply, depending on model
- Compact (series DFD / TR) or remote mounting (series MT03 / DFD / TR)
- Inputs:
 - Pulses or pick-up coil (models MT03F and DFD420, flow applications)
 - Resistance or 4-20 mA (model MT03A, flow applications, and MT03L, level applications)
 - Resistance (model TR3420, flow and level applications)
- Features (depending on model):
 - Flow and volume or level indication
 - Programmable 4-20 mA analog output
 - Pulse output
 - Alarm outputs
 - Preselection with relay outputs for batching applications
- MODBUS RTU RS485 protocol optional
- Exd certificate optional



Model MT03



- Electronic converter
- Suitable for flow and level applications
- Programmable via USB cable by means of Tecfluid S.A. Winsmeter MT03 software or by means of keyboard and graphic display with intuitive menus
- Power supply:
 - 100 ... 240 VAC 50 / 60 Hz
 - 18 ... 36 VDC
- Panel mounting with dimensions 96 x 96 mm DIN 43700
- Ingress protection:
 - IP50 front (IP65 on request)
 - IP30 back
- Ambient temperature: -20°C ... +60°C
- Models MT03F and MT03A (for flowmeters):
 - Inputs:
 - pulses and pick-up coil (model F)
 - resistance and current (model A)
 - Preselection and relay outputs for batching applications (only model F)
 - 5 digits local flow rate indication and 8 digits totalizer and partial totalizer
 - Possibility of remote reset
 - Pulse output (input signal repeater. Only model F)
 - 2 x relay outputs programmable as flow rate alarms
 - Programmable 4-20 mA analog output
 - Mass flow rate can be measured programming the product density
 - Option of flow-frequency linearization by means of 10 points

- Model MT03L (for level transmitters):
 - Resistance and current inputs
 - 5 digits level indication
 - 2 x relay outputs programmable as level alarms
 - Programmable 4-20 mA analog output
- Full diagnosis. User selectable password protection
- MODBUS RTU RS485 protocol on request
- Exd certificate optional

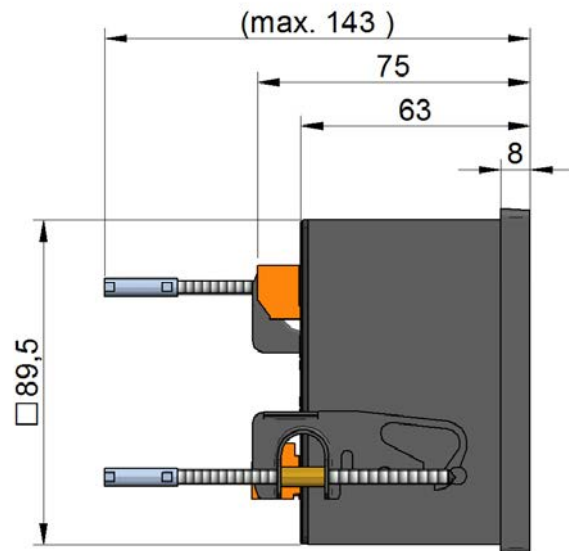
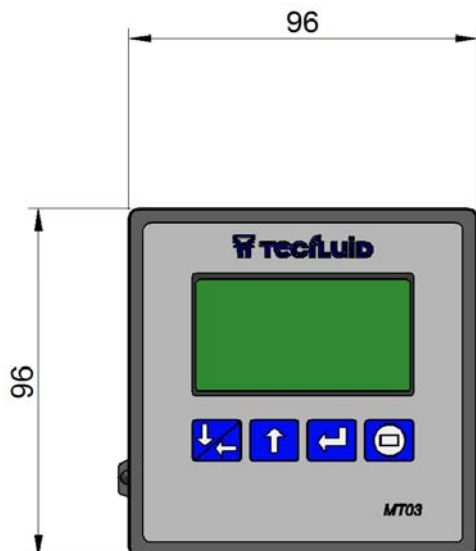


MT03F ... A



MT03L

Dimensions converter MT03



Electronic converters and transmitters

Series MT03 / DFD / TR



Model DFD420

- Electronic converter
- Suitable for flow applications
- Fully programmable via USB cable by means of Tecfluid S.A. Winsmeter DFD software
- Power supply: 12 ... 36 VDC, 2-wire system
- Consumption: 0.8 W max.
- Compact mounted in an IP68 aluminium housing or DIN 46277 rail remote mounted
- Ingress protection:
 - IP68 (supplied with aluminium housing)
 - IP20 / IP00 (housing / terminals for DIN rail version)
- Ambient temperature: -20°C ... +85°C
- Model DFD420:
 - Pulses and pick-up inputs
 - Programmable 4-20 mA analog output
 - Digital output configurable as an opto-isolated pulse output max. 30 VDC or as an alarm output
 - Input-output pulse converter by means of a programmable factor
 - Option of flow-frequency linearization by means of 10 points
- User selectable password protection
- Acts as an interface between the pulse emitter and systems with 4-20 mA or pulses limited in frequency inputs, such as some PLCs or electromechanical counters
- Exd certificate optional

Model TR420

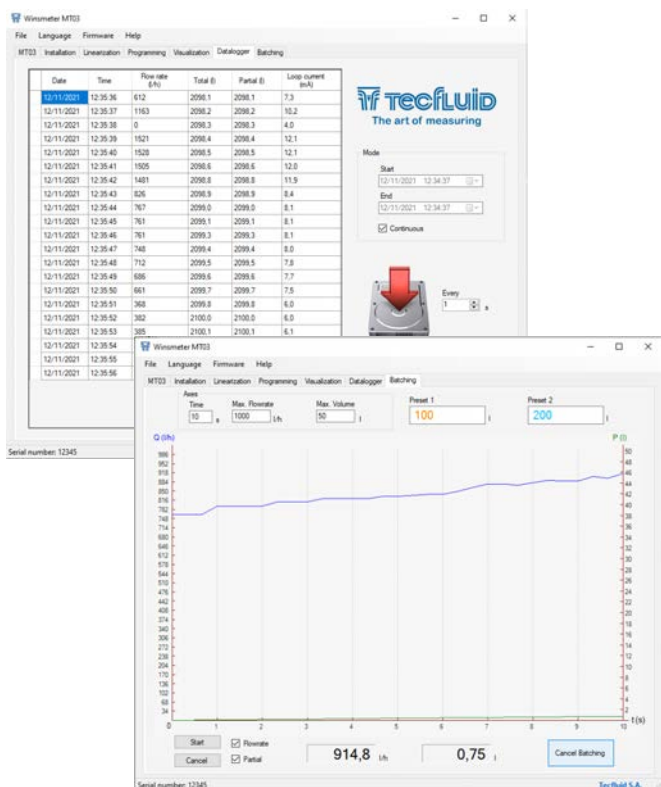
- Electronic converter
- Suitable for flow and level applications
- Fully programmable via USB cable by means of Tecfluid S.A. Winsmeter TR software
- Power supply: 12 ... 36 VDC, 2-wire system
- Consumption: 0.8 W max.
- Compact mounted in an IP68 aluminium housing or DIN 46277 rail remote mounted
- Ingress protection:
 - IP68 (supplied with aluminium housing)
 - IP20 / IP00 (housing / terminals for DIN rail version)
- Ambient temperature: -20°C ... +85°C
- Model TR420:
 - Resistance input, compatible with resistive sensors
 - Programmable 4-20 mA analog output
- User selectable password protection



DFD420



IP68 aluminium housing for DFD and TR transmitters



Winsmeter software

Tecfluid make available to the user the Winsmeter software, which allows the fully programming of the converters and transmitters by means of PC, in a quick and intuitive way.

This software is available for download at www.tecfluid.com.

The connection between PC and converter is easily done by means of a USB cable (not supplied).

PRESENCE IN MORE THAN 50 COUNTRIES ALL OVER THE WORLD



TECFLUID
The art of measuring

Tecfluid S.A.
Narcís Monturiol 33
08960 Sant Just Desvern
Barcelona
Tel: +34 93 372 45 11
tecfluid@tecfluid.com
www.tecfluid.com

Quality Management System ISO 9001 certified by



Pressure Equipment Directive certified by



ATEX European Directive certified by

